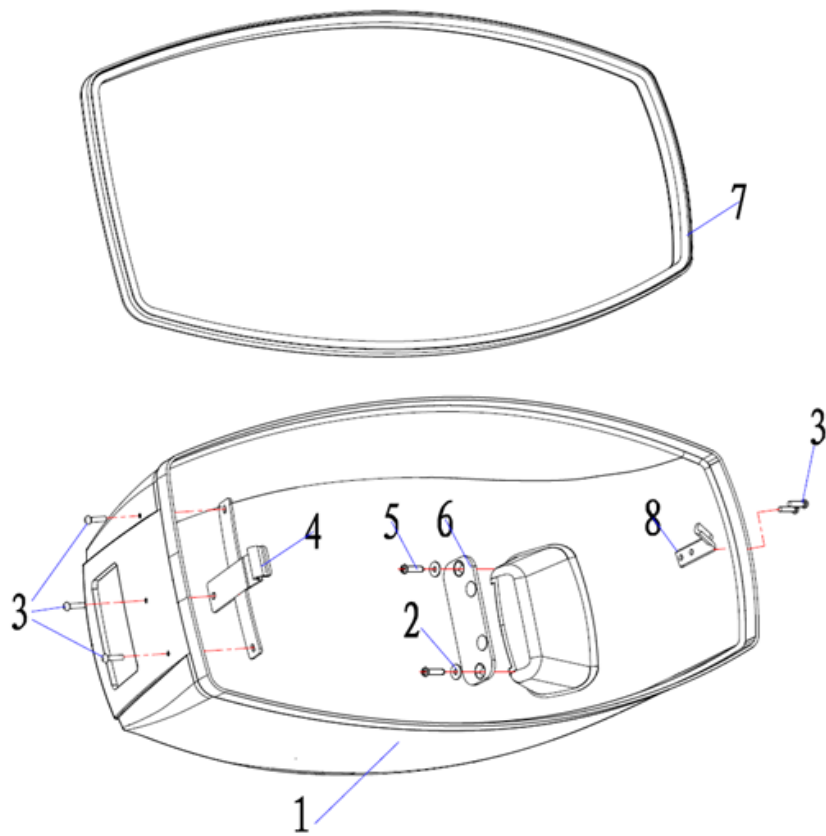


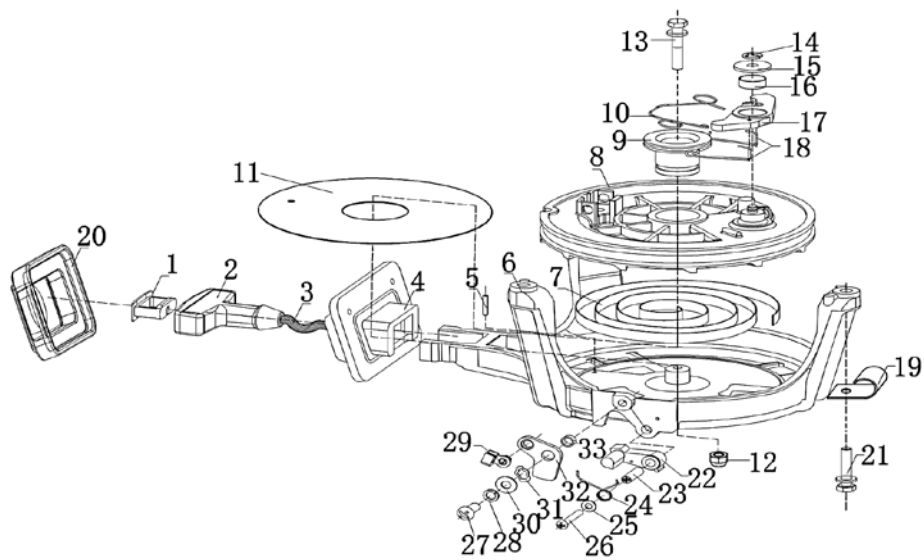


Мотор лодочный Marine Rocket MR20FFE (326 см³)



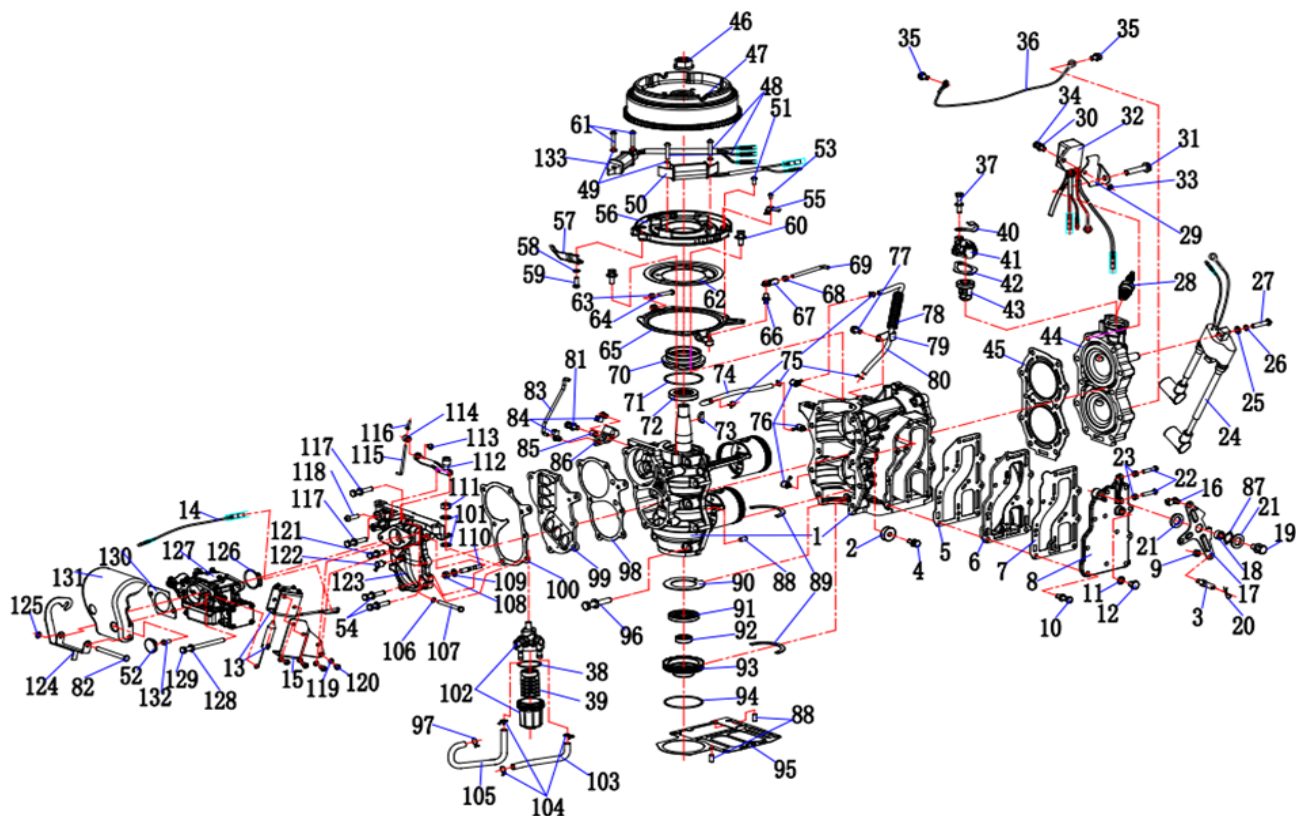
1. Капот

NO.	КОД MR	КОД №2	КОД OEM	НАИМЕНОВАНИЕ	ШТ	УПАКОВКА	TOHATSU
1	MR01072129		20F-07.00.00.01	Top cowling	1	1	
2	MR0104162BAG			Flat gasket 4	7	10	
3	MR0104231BAG			Double drum rivet 4*15	5	10	
4	MR01082116		20F-07.00.00.04	Front locking hook	1	1	
5	MR0104275BAG		GB/T845	screw	2	10	
6	MR01072133		20F-07.00.00.05	Air inlet Cap	1	1	
7	MR01062120		20F-07.00.00.03	Rubber sealing strip	1	1	
8	MR010801480		15F-II-07.08	locking hook	1	1	
	MR030228	MR08010011	20F-07.00.00.00	Top Cowling	1	1	



2. Ручной стартер

NO.	КОД MR	КОД №2	КОД OEM	НАИМЕНОВАНИЕ	ШТ	УПАКОВКА	TONATSU
1	MR01071106BAG		40F-01.01.16	Starter Handle cover	1	2	338-05013-0
2	MR01071107		40F-01.01.18	Starter handle	1	1	338-05019-0
3	MR01102105BAG		20F-01.01.00.08	Starting rope $\phi 5M^*1650MM$	1	2	350-05013-1
4	MR01062106		20F-01.01.02.00	Rubber bracket	1	1	350-05116-0
5	MR0104371BAG		GB879.1	Elastic cylindrical pin 3*16	1	10	
6	MR01012110		20F-01.01.00.09	Starter Cover	1	1	350-05105-0
7	MR01092104		20F-01.01.00.07	Volute spring	1	1	345-05004-0
8	MR01072110		20F-01.01.01.00	Start wheel Assy	1	1	350-05104-1
9	MR01022106		20F-01.01.00.06	Start wheel bushing	1	1	350-05132-0
10	MR01092106BAG		20F-01.01.00.04	Return spring	1	2	350-05124-0
11	MR01072134		20F-01.01.00.10	Friction ring	1	1	
12	MR0104146BAG			hexagon nylon lock nut	1	10	
13	MR0104409BAG			Hexagonal bolt & flat gasket assy M6*35	1	10	
14	MR0104178BAG			Circlip	1	10	
15	MR0104175BAG		GB5287	Flat gasket 6	1	10	
16	MR01022107		20F-01.01.00.03	Cushion tube	1	1	345-05135-1
17	MR01072111		20F-01.01.00.02	Drive arm	1	1	345-05003-1
18	MR01092105BAG		20F-01.01.00.05	Return spring hook	2	10	350-05123-0
19	MR01080210BAG		F15-01.03.00.42	fix clip,air breather tube	1	5	90465-06M86
20	MR01062105		20F-01.01.00.01	Damper	1	1	
21	MR0104408BAG			Bolt	3	10	
22	MR01070604		9.8F-01.01.16	Brake	1	1	
23	MR01020604		9.8F-01.01.17	Copper bushing	1	1	
24	MR01090604BAG		9.8F-01.01.18	Torsional spring,brake	1	5	
25	MR0104162BAG			Flat gasket 4	1	10	
26	MR0104102BAG			Cross recessed pan head tapping screws(M4*30)	1	10	
27	MR01040831BAG			Pan head bolt with cross recess	1	10	97880-06016
28	MR0104154BAG			Spring Washer	1	10	
29	MR01070603BAG		9.8F-01.01.13	Linkage connector	1	2	
30	MR0104171BAG			Flat gasket	1	10	
31	MR01080604BAG		9.8F-01.01.15	Wave gasket	1	2	
32	MR01070602BAG		9.8F-01.01.12	Brake guide	1	2	
33	MR01020602BAG		9.8F-01.01.14	Cushion tube	1	2	
	MR030118	MR08020006	20F-01.01.00.00	Recoil Starter Assy.	1	1	

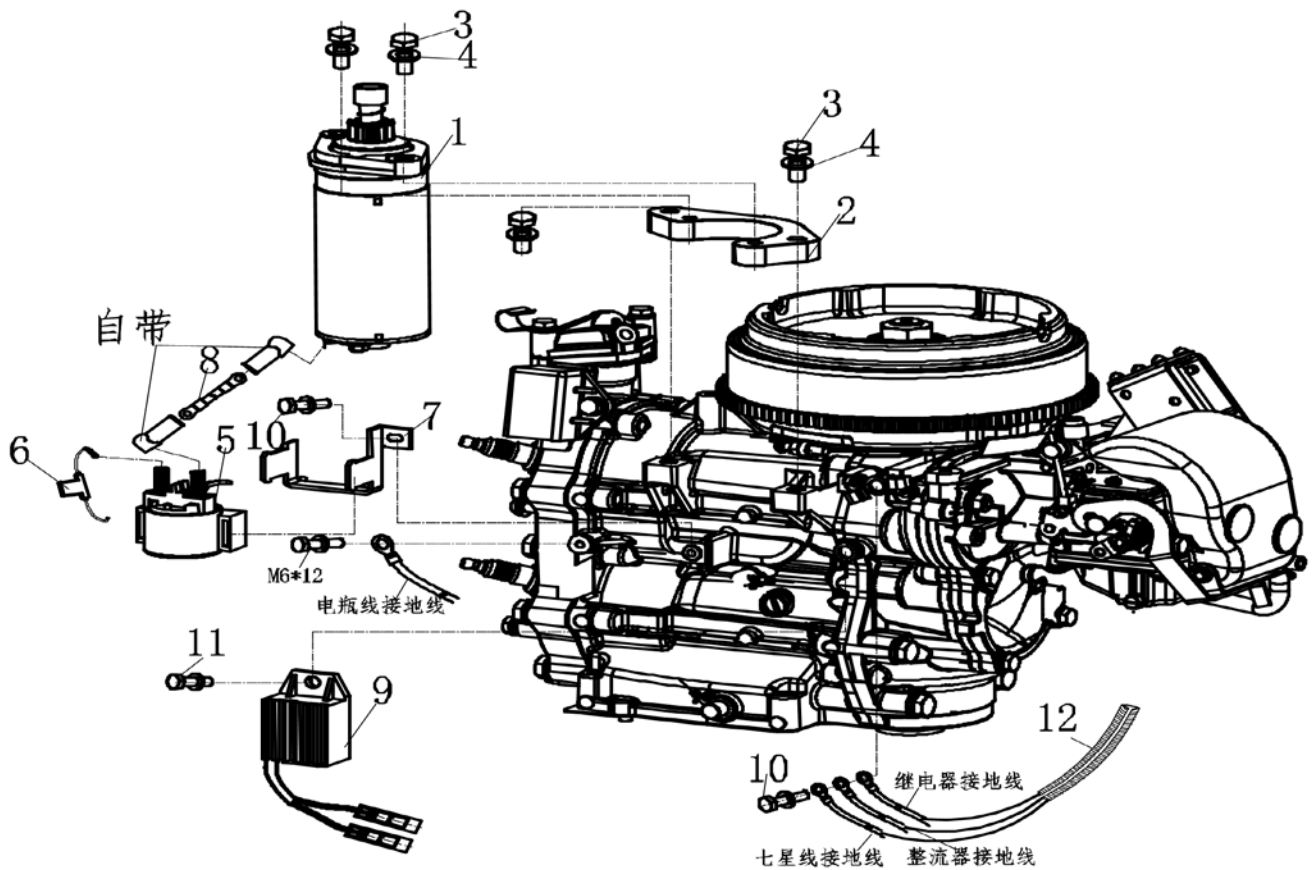


3. Блок двигателя 1

NO.	КОД MR	КОД №2	КОД OEM	НАИМЕНОВАНИЕ	ШТ	УПАКОВКА	TOHATSU
1	MR01012101	MR090801012101	20F-01.06.02.00	Crankcase comp.	1	1	362B01100-3
2	MR01010911		3.5F-06.01.09	Anode	1	1	338-60218-2
3	MR01022301		20FE-03.00.00.35	throttle cable connector	1	1	
4	MR0104404BAG			Bolt	1	10	
5	MR01052113BAG		20F-01.06.00.14	Exhaust inner cover gasket	1	2	350-02306-0
6	MR01012105	MR090801012105	20F-01.06.00.13	Exhaust inner cover	1	1	350B02302-0
7	MR01052114BAG		20F-01.06.00.12	Exhaust outer cover gasket	1	2	350-02305-0
8	MR01012104	MR090801012104	20F-01.06.00.11	Exhaust outer cover	1	1	350B02301-1
9	MR0104137BAG			Hexagon nut M5	1	10	
10	MR0104407BAG			Hexagonal bolt & flat gasket assy M6*25	11	10	
11	MR01080401BAG		F2.5-01.01.00.04	Copper washer	1	2	
12	MR01040311BAG			Hexagonal bolt M8*10	1	10	
13	MR01032301		20FE-01.03.07.00	magnetic valve Assy.	1	1	
14	MR01032302BAG		20FE-01.03.07.01	power line,magnetic valve	1	2	
15	MR01082302		20FE-01.03.00.09	bracket,magnetic valve	1	1	
16	MR01070610BAG		9.8F-01.04.07	Linkage connector	1	2	
17	MR01082101		20F-01.04.00.04	Timing rock arm	1	1	
18	MR01022103BAG		20F-01.04.00.06	Rock arm bushing	1	2	
19	MR01044132BAG			Hexagon headed bolt and flat plate M6*20	1	10	
20	MR01090115BAG		15F-01.05.14	circlip	1	10	
21	MR01072102BAG		20F-01.04.00.05	Rock arm friction gasket	2	2	
22	MR0104081BAG			Cross recessed Pan head screws M5*25	2	10	
23	MR0104137BAG			Hexagon nut M5	2	10	
24	MR01032102A		20F-01.03.01.00	Ignition coil comp.	1	1	3G2-06040-2
25	MR0104171BAG			Flat gasket	2	10	
26	MR0104154BAG			Spring Washer	2	10	
27	MR0104085BAG			Cross recessed Pan head screws M5*30	2	10	
28	MR01030309		BPR7HS(5F/9.8F/20F)	Spark Plug	2	1	97010-4008
29	MR01082105BAG		20F-01.03.00.01	CDI bracket	1	2	3G2-06061-0
30	MR0104171BAG			Flat gasket	1	10	
31	MR0104062BAG		GB5789	bolt	10	5	
32	MR01032103A		20F-01.03.02.00	CDI (Charging coil, spark plug lead assy.)	1	1	3G2-06060-2
33	MR0104149BAG			Hexagon thin nut M6	1	10	
34	MR0104010BAG			hex bolt	1	10	
35	MR0104403BAG			Bolt	2	10	
36	MR01032101BAG		20F-01.03.00.02	Electrical conductor	1	2	
37	MR0104408BAG			Bolt	2	10	
38	MR01060112BAG		15F-01.07.05.06	O ring,filter	1	2	93210-32738

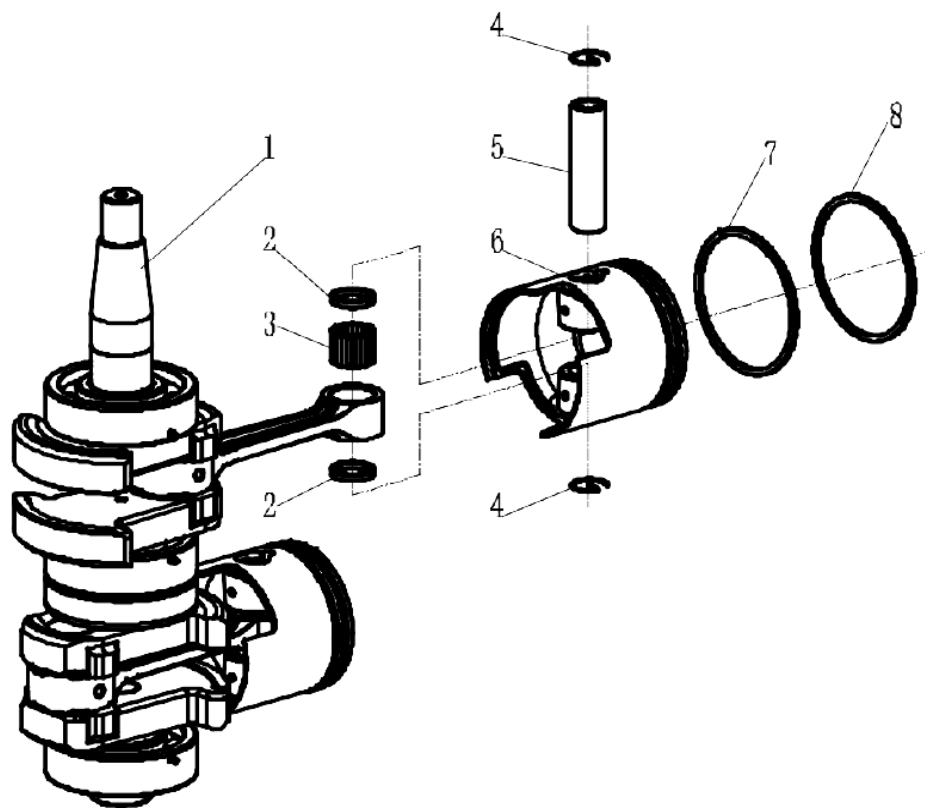
39	MR2072701075ABAG		F60-01.07.01.31	fuel filter	1	5	
40	MR01080210BAG		F15-01.03.00.42	fix clip,air breather tube	1	5	90465-06M86
41	MR01012108	MR090801012108	20F-01.06.00.15	Thermostat cover	1	1	3H6B01031-0
42	MR01052112BAG		20F-01.06.00.16	Thermostat cover seal gasket	1	2	346-01032-0
43	MR01050104		15F-01.06.14	thermostat 50°C	1	1	350-01030-1
44	MR01012103	MR090801012103	20F-01.06.00.17	Cylinder cap	1	1	345-01111-0
45	MR01052111		20F-01.06.00.18	Cylinder gasket	1	1	350-01005-0
46	MR01020211		F15-01.06.00.06	Fly wheel nut	1	1	334-00132-0
47	MR01032307		20FE-01.03.03.00	fly wheel Assy.	1	1	
48	MR0104081BAG			Cross recessed Pan head screws M5*25	2	10	
49	MR0104153BAG			Spring washer	4	10	
50	MR01032310		20FE-01.03.11.01	Charging coil assy	1	1	
51	MR01040760BAG			Cross recessed pan head tapping screws(M5*10)	4	10	
52	MR01060303BAG		F4-01.03.06.06	Rubber plug	2	2	
53	MR0104072BAG			Cross recessed Pan head screws M4*6	2	10	
54	MR0104407BAG			Bolt and washer assembly	2	10	
55	MR01082106BAG		20F-01.03.00.03	Cable plate	1	2	350-06025-0
56	MR01012113	MR090801012113	20F-01.03.05.00	Magnetic seat Assy	1	1	3G2-06002-1
57	MR01012112		20F-01.03.00.06	Throttle adjustment plate	1	1	
58	MR0104170BAG			Flat gasket	2	10	92995-05600
59	MR0104237BAG			Hexagon headed bolt M5*14	2	10	
60	MR0104406BAG			Flat gasket&Bolt	2	10	
61	MR0104216BAG			Pan head screw with cross recess	2	10	
62	MR01082104		20F-01.03.00.05	Magnetic seat friction plate	1	1	346-63722-2
63	MR0104137BAG			Hexagon nut M5	1	10	
64	MR0104081BAG			Cross recessed Pan head screws M5*25	1	10	
65	MR01012111		20F-01.03.00.04	Timing adjustment plate	1	1	350-63723-0
66	MR010213001BAG		30F-01.02.00.02	Ball head bolt	1	2	
67	MR010713013BAG		30F-01.05.00.03	Timing adjustment connecting bolt	1	2	
68	MR0104137BAG			Hexagon nut M5	1	10	
69	MR01092102		20F-01.04.01.01	Timing connecting rod(up)	1	1	
70	MR01012106	MR090801012106	20F-01.06.00.05	Oil sealing casing(up)	1	1	350-01401-0
71	MR01060537BAG		F9.9-06.02.00.06	O ring (big)	1	2	93210-49046-00
72	MR01052117		20F-01.06.00.07	Crankshaft oil seal 25*45*8	1	1	350-00121-0
73	MR011011071		40F-01.03.03	Woodruff key	1	1	
74	MR01062102BAG		20F-01.06.00.03	Oil return pipe 3*7*185	1	2	
75	MR01090137BAG			Tube clip	4	10	
76	MR01020108		15F-01.06.03	Joint,air breather tube	3	1	650-14485-03
77	MR0104403BAG			Bolt	1	10	
78	MR01100304BAG		F4-01.07.12	Bellows φ 12*115	1	2	
79	MR01080210BAG		F15-01.03.00.42	fix clip,air breather tube	1	5	90465-06M86
80	MR010621020BAG		20F-01.06.00.02	Balance pipe 3*7*270	1	2	
81	MR0104406BAG			Flat gasket&Bolt	1	10	
82	MR01022104		20F-01.02.00.02	Choke rock arm pin	1	1	350-67154-0
83	MR01092101BAG		20F-01.04.00.03	Brake connecting rod	1	2	
84	MR01070603BAG		9.8F-01.01.13	Linkage connector	2	2	
85	MR01022102BAG		20F-01.04.00.02	Limited block cushion tube	1	2	
86	MR01072101BAG		20F-01.04.00.01	Reversing limit block	1	2	
87	MR01080617BAG		9.8F-02.11.05	Wave gasket	1	2	9414-3-1400
88	MR01020110BAG		15F-01.06.20	Locating Pin 2*6	4	10	
89	MR01082102BAG		20F-01.06.00.21	Limit ring	2	2	350-00115-0
90	MR01082103		20F-01.06.00.20	Limit plate	1	1	350-00107-0
91	MR01052106		20F-01.06.00.31	Crankshaft under oil seal 25*47*6	1	1	350-01215-5
92	MR01052105		20F-01.06.00.32	Drive shaft upper oil seal	1	1	
93	MR01012109	MR090801012109	20F-01.06.00.29	Oil seal casing(under)	1	1	
94	MR01060537BAG		F9.9-06.02.00.06	O ring (big)	1	2	93210-49046-00
95	MR01052104		20F-01.06.00.01	Engine seal gasket	1	1	350-01303-1
96	MR0104416			Hexagon headed bolt and flat plate M8*45	10	1	
97	MR01090138BAG			Tube Clip	1	10	
98	MR01052115BAG		20F-01.06.00.10	Inlet valve seat gaskets	1	2	350-02105-1
99	MR01052102		20F-01.06.01.00	Inlet valve seat Assy	1	1	362-02100-1
100	MR01052116BAG		20F-01.06.00.09	Inlet valve cap seal	1	2	350-02104-0
101	MR010417109BAG			Flat gasket	2	10	
102	MR01070165		15F-01.07.05.05	Inner cover,exhaust	1	1	61N-24560-00
103	MR01062104BAG		20F-01.07.00.01	Filter inlet pipe	1	2	
104	MR01090138BAG			Tube Clip	3	10	
105	MR01062103BAG		20F-01.07.00.02	Filter outlet pipe	1	5	
106	MR0104153BAG			Spring washer	1	10	
107	MR010431502BAG		GB5782	Hexagon headed bolt M5*50	1	2	
108	MR0104138BAG			Hex Nut M6	1	10	
109	MR0104171BAG			Flat gasket	1	10	
110	MR01043441BAG			Bolt M6*25/14	1	5	
111	MR0104139BAG			Bolt nut	1	10	

112	MR01072109		20F-01.02.04.00	Throttle linkage rod comp.	1	1	3M2-03172-0
113	MR0104075BAG			Pan head screw with cross recess	1	10	90157-05014
114	MR01022105		20F-01.02.00.05	Throttle linkage joint	1	1	350-03176-0
115	MR01092103		20F-01.02.00.04	Throttle linkage	1	1	350-03174-0
116	MR01060512BAG		F9.9-01.04.00.05	linkage cover	1	2	
117	MR0104408BAG		GC9074.1 (8.8)	Hexagonal bolt & flat gasket assy M6*30	2	10	
118	MR0104105BAG			Cross recessed Pan head screws M6*20	1	10	
119	MR0104170BAG			Flat gasket	4	10	92995-05600
120	MR01040760BAG			Cross recessed pan head tapping screws(M5*10)	4	10	
121	MR0104408BAG			Bolt	4	10	
122	MR01020108		15F-01.06.03	Joint,air breather tube	1	1	650-14485-03
123	MR01012107	MR090801012107	20F-01.06.00.08	Inlet valve cap	1	1	3M2B02010-0
124	MR01082107		20F-01.02.02.00	choke rock arm assy	1	1	3G2-67152-0
125	MR0104178BAG			Circlip	1	10	
126	MR01062126BAG		20F-01.02.00.03	Carburetor seal ring	1	2	3C8-02011-0
127	MR01052101		20F-01.02.03.00	Carburetor Assy.	1	1	3G2-03100-3
128	MR0104171BAG			Flat gasket	2	10	
129	MR01040231 BAG		GB5783 M6*80	hex bolt	2	10	
130	MR01052120BAG		20F-01.02.00.01	Air filter gasket	1	2	3G2-02414-0
131	MR01072107		20F-01.02.01.00	Air filter assy	1	1	3G2-02411-0
132	MR0104077BAG			Screw M5*12	2	10	
133	MR01032310B		20FE-01.03.11.02	lighting coil	1	1	



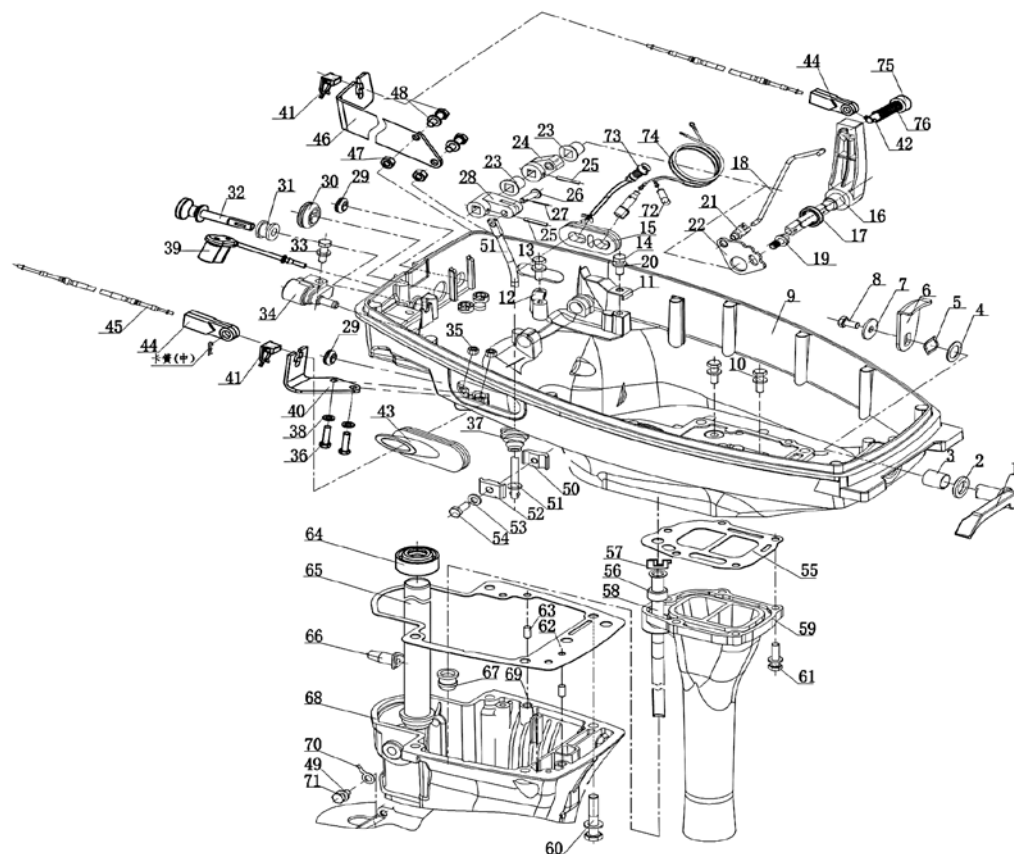
4. Блок двигателя 2

NO.	КОД MR	КОД №2	КОД OEM	НАИМЕНОВАНИЕ	ШТ	УПАКОВКА	TOHATSU
1	MR01032303		20FE-01.03.09.00	starting motor Assy.	1	1	
2	MR01012301		20FE-01.03.00.08	bracket,starting motor	1	1	
3	MR0104037BAG		G5783	Bolt	4	2	
4	MR01041540BAG			washer	4	10	
5	MR01030817			Relay Assy.(Electrical)	1	1	
6	MR01032309		20FE-01.03.14.00	fuse wire	1	1	
7	MR01082301		20FE-01.03.00.10	bracket,relay	1	1	
8	MR01032304		20FE-01.03.09.01	power line,starting motor	1	1	
9	MR01030207		F15-01.06.07.00	Rectifier Comp.	1	1	68T-81960-00-00
10	MR0104404BAG			Bolt	2	10	
11	MR0104403BAG			Bolt	1	10	
12	MR01102301			bellows	1	1	



5. Коленвал

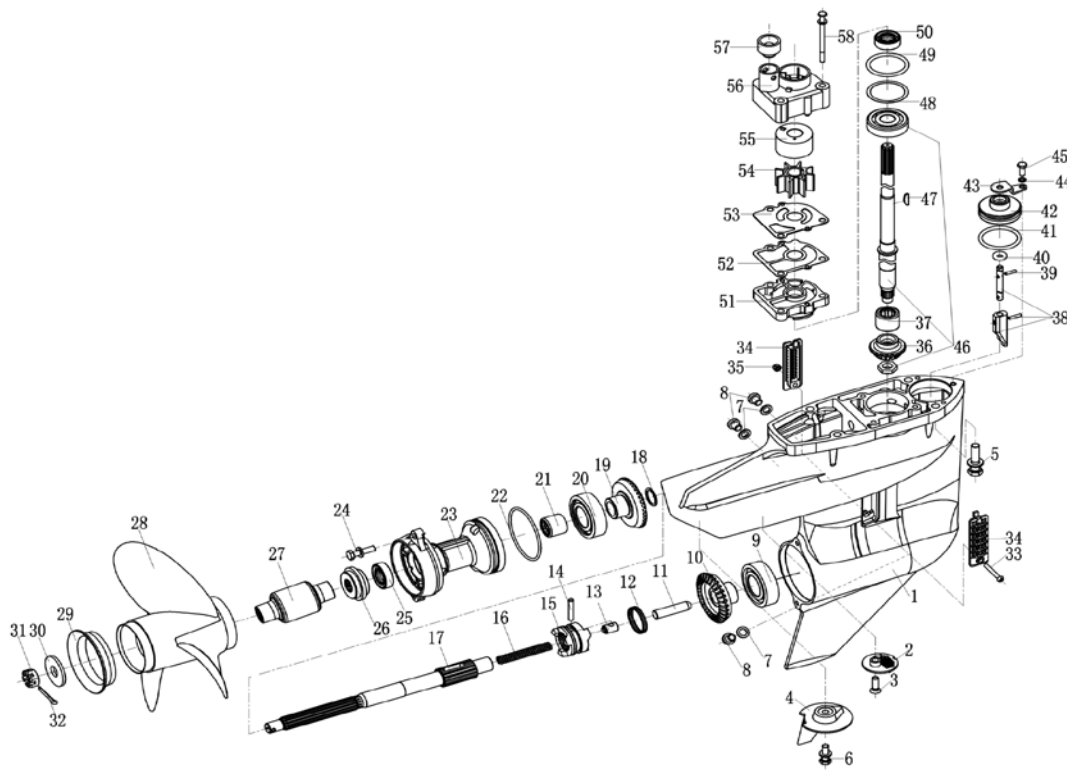
NO.	КОД MR	КОД №2	КОД OEM	НАИМЕНОВАНИЕ	ШТ	УПАКОВКА	TOHATSU
1	MR01052103		20F-01.06.03.00	Crankshaft connecting rod	1	1	
2	MR01022101BAG		20F-01.06.00.27	Needle roller baffle	4	5	
3	MR01050124BAG		15F-01.06.33.16	Roller pin	50	25	93602-14104
4	MR01050626BAG		9.8F-01.06.25	Piston circlip	4	10	35000-0240
5	MR01052109BAG		20F-01.06.00.23	Piston pin	2	2	
6	MR01052110B		20F-01.06.00.22	Piston	2	1	
7	MR01052107		20F-01.06.00.25	2nd ring	2		
8	MR01052108		20F-01.06.00.24	1st ring	2		



6. Поддон двигателя

NO.	КОД MR	КОД №2	КОД OEM	НАИМЕНОВАНИЕ	ШТ	УПАКОВКА	ТОHATSU
1	MR090801012116	MR07210003	20F-02.00.01.01	Front lock handle	1	1	338S67141-0
2	MR01060612BAG		9.8F-02.11.02	Rubber ring	1	2	36967-1050
3	MR01072113BAG		20F-02.00.01.02	bushing	1	2	350-67105-0
4	MR01070617BAG		9.8F-02.11.04	Gasket	1	2	
5	MR01080617BAG		9.8F-02.11.05	Wave gasket	1	2	9414-3-1400
6	MR01082108		20F-02.00.01.03	Lock plate	1	1	345-67142-1
7	MR0104175BAG		GB5287	Flat gasket 6	1	10	
8	MR0104008BAG			Hex Head Bolt M6*12	1	10	
9	MR090801012114	MR07210002	20F-02.00.00.01	Bottom cowling	1	1	
10	MR0104406BAG			Flat gasket&Bolt	2	10	
11	MR01082110BAG		20F-01.05.00.04	Limit plate spring	1	2	
12	MR01080210BAG		F15-01.03.00.42	fix clip,air breather tube	1	5	90465-06M86
13	MR0104403BAG			Bolt	1	10	
14	MR0104010BAG			hex bolt	1	10	6BX-42129-00-00
15	MR01060609BAG		9.8F-02.05	plug A	1	2	353-67162-0
16	MR01072116		20F-01.05.01.00	Shift level assy.	1	1	350-66110-0
17	MR01060626BAG		9.8F-01.05.09	Rubber seal ring	1	2	
18	MR01092107		20F-01.05.00.02	Limit connecting rod	1	1	
19	MR0104404BAG			Bolt	1	10	
20	MR0104171BAG			Flat gasket	1	10	
21	MR01070603BAG		9.8F-01.01.13	Linkage connector	1	2	
22	MR01082109BAG		20F-01.05.00.01	Limiting plate	1	2	350-66121-0
23	MR01070613BAG		9.8F-01.05.06	Bushing	2	2	350-67101-0
24	MR01072114BAG		20F-01.05.00.03	Limiting plate block	1	2	350-66115-0
25	MR0104221BAG		GB879.1	Elastic cylindrical pin 3*10	2	10	
26	MR01022108BAG		20F-01.05.00.06	Rod pin	1	2	
27	MR0104186BAG			Cotter pin	1	10	
28	MR01072115		20F-01.05.00.05	Shift lever block	1	1	350-66225-0
29	MR01061408BAG		5F-02.02	Plug A	2	2	34567-1170
30	MR01060321BAG		F4-02.13	Rubber plug	1	2	
31	MR01062111BAG		20F-02.00.00.12	choke lever bushing	1	2	
32	MR01072106		20F-01.02.00.06	choke lever assy	1	1	
33	MR0104407BAG			Hexagonal bolt & flat gasket assy M6*25	1	10	
34	MR01100106		15F-01.07.01.00	Fuel hose joint assy	1	1	
35	MR0104137BAG			Hexagon nut M5	2	10	
36	MR0104377BAG			hex bolt	2	10	
37	MR01060611BAG		9.8F-02.09	Sleeve	1	5	345-66226-0

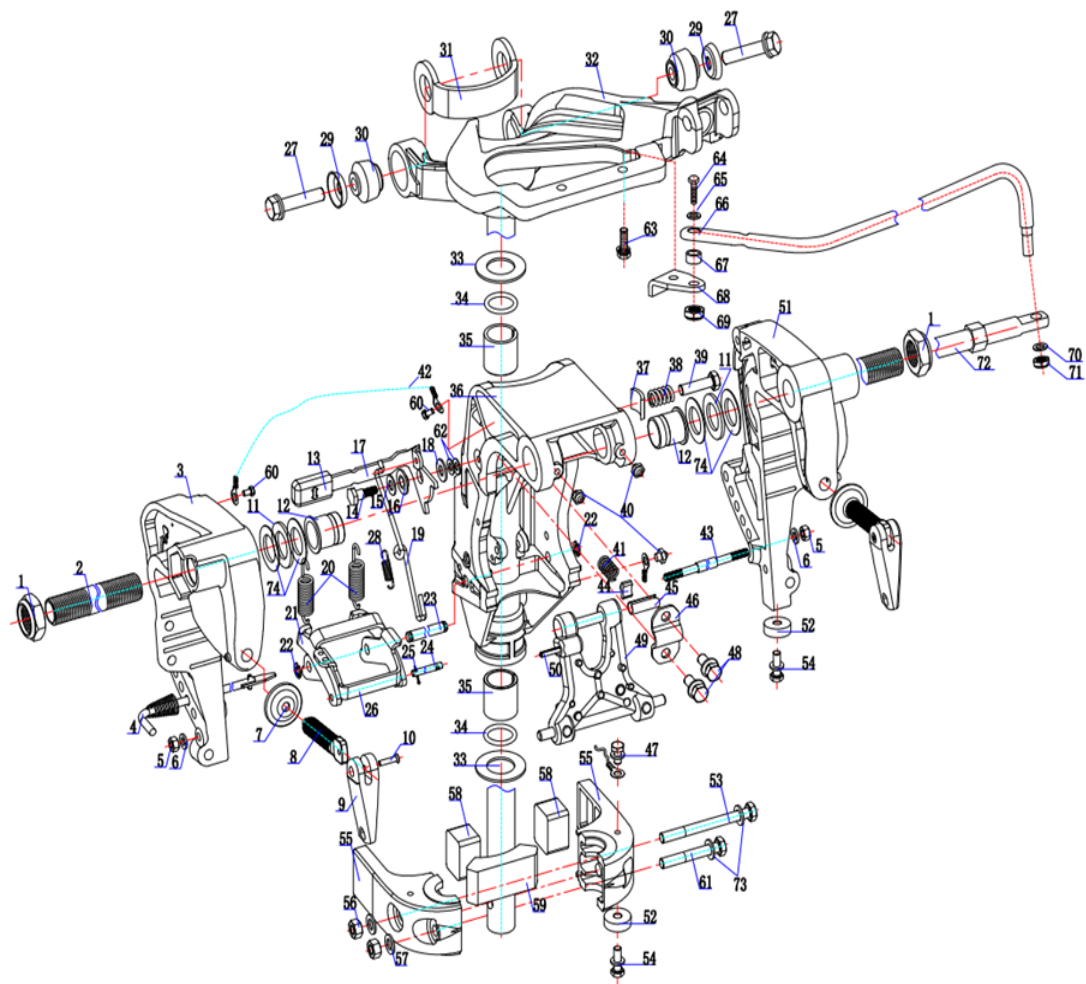
38	MR0104170BAG			Flat gasket	2	10	92995-05600
39	MR01060703		F6-01.04.00.12	Fuel hose joint cover	1	1	
40	MR01082304		20FE-02.00.00.13	throttle cable limited plate	1	1	
41	MR01071503BAG		F9.9E-02.00.00.02	cable fixed pin	2	5	
42	MR01041940BAG			Elastic cylindrical pin 3*12	1	10	
43	MR01062107		20F-02.00.00.02	Rubber plug	1	1	
44	MR01070811BAG		HDYK00.00.24	Cable adjuster A	2	5	
45	MR0110080101			Remote Control Cable (3.8m)	2	1	
46	MR01082303		20FE-02.00.00.14	cable limited ,shift	1	1	
47	MR0104138BAG			Hex Nut M6	2	10	
48	MR0104406BAG			Flat gasket&Bolt	2	10	
49	MR0104154BAG			Spring Washer	1	10	
50	MR01052122		20F-05.00.00.07	Gear shift locking block B	1	1	
51	MR01092113		20F-05.00.00.01	Gear shift connecting rod	1	1	350-66214-0
52	MR01052121		20F-05.00.00.06	Gear shift locking block A	1	1	
53	MR0104171BAG			Flat gasket	1	10	
54	MR0104009BAG			Bolt	1	10	
55	MR01052118BAG		20F-02.00.00.07	Exhaust pipe seal gasket	1	2	362-02312-0
56	MR01062110BAG		20F-02.00.00.09	Water pipe ring	1	2	
57	MR01072112BAG		20F-02.00.00.10	Water pipe bushing	1	2	
58	MR01102103		20F-02.00.00.06-S	Water pipe(short shaft)	1	1	
59	MR01012115		20F-02.00.00.08	Exhaust pipe	1	1	362-02311-0
60	MR01044136BAG			Hexagon headed bolt and flat plate M8*45	4	2	
61	MR0104407BAG			Hexagonal bolt & flat gasket assy M6*25	5	10	
62	MR01052119BAG		20F-02.00.00.11	Bottom cowling gasket(down)	1	2	350-61012-1
63	MR01020110BAG		15F-01.06.20	Locating Pin 2*6	2	10	
64	MR01062109BAG		20F-02.00.00.05	Rubber gasket	1	2	
65	MR01102102		20F-02.00.00.03	Drive shaft cover components	1	1	
66	MR01062108BAG		20F-02.00.00.04	Rubber outlet pipe	1	2	
67	MR01062118BAG		20F-05.00.00.04	pipe bushing	1	5	
68	MR090801012125	MR07210010	20F-05.00.00.03-S	Upper casing(S)	1	1	
	MR0908010121250	MR07210011	20F-05.00.00.03-L	Upper casing(L)	1	1	
69	MR01062119BAG		20F-05.00.00.05	Rubber seal strip	1	2	
70	MR01100114		15F-05.08	Connector parts	1	1	
71	MR0104008BAG		GB5783(8.8)	Hex Head Bolt M6*12	1	10	
72	MR01060805		DQDF15-00.03.03	rubber sleeveA	1	1	
73	MR01032306		20FE-01.03.13.00	seven-core plug	1	1	
74	MR01032305		20FE-01.03.12.00	battery pack Assy.	1	1	
75	MR010917003		30FE-04.00.00.15	bolt,fixing and adjusting device	1	1	
76	MR010917002BAG		30FE-04.00.00.16	spring,fixing and adjusting device	1	2	



7. Редуктор

NO.	КОД MR	КОД №2	КОД OEM	НАИМЕНОВАНИЕ	ШТ	УПАКОВКА	TOHATSU
1	MR090801012128	MR07210013	20F-06.00.00.28	Lower casing	1	1	398S60000-0
2	MR01072132BAG		20F-06.00.00.24	Water inlet cap (Lower)	1	2	369-60206-0
3	MR0104118BAG			Cross recessed slot countersunk head screw M6*16	1	10	
4	MR01010626		9.8F-06.08	Trim tab	1	1	3V9-60218-0
5	MR01044252			Hexagonal bolt & flat gasket assy M8*35	4	1	
6	MR0104406BAG			Flat gasket&Bolt	1	10	
7	MR01080139BAG		15F-06.01.04	Gasket	3	10	
8	MR01020128BAG		15F-06.01.03	plug, straight screw	3	2	
9	MR01050305		F4-01.06.02	Deep groove ball bearing 6205C3	1	1	9601-0-6205
10	MR01052127B		20F-06.00.00.27	Forward gear	1	1	350-64010-0
11	MR01022116		20F-06.00.03.06	Gear shift plunger	1	1	350-64223-1
12	MR01092114BAG		20F-06.00.03.04	Circlip	1	10	350-64219-0
13	MR01022117BAG		20F-06.00.03.07	Spring limit sleeve	1	2	350-64222-0
14	MR01020131BAG		15F-06.10.03	Pin	1	10	350-64218-0
15	MR01052133		20F-06.00.03.02	Claw type clutch	1	1	362-64215-0
16	MR01092115BAG		20F-06.00.03.05	Compression spring	1	2	332-64221-0
17	MR01052132		20F-06.00.03.01	Propeller shaft	1	1	362-64211-0
18	MR01082121BAG		20F-06.00.00.22	Reverse gear washer	1	5	350-64032-0
19	MR01052125B		20F-06.00.00.15	Reverse gear	1	1	362-64030-0
20	MR01050305		F4-01.06.02	Deep groove ball bearing 6205C3	1	1	9601-0-6205
21	MR01052128		20F-06.00.00.17	Needle bearing	1	1	362-60211-0
22	MR01062123BAG		20F-06.00.00.13	Lower casing Cap O-ring	1	2	121-32071-0
23	MR090801012127	MR07210012	20F-06.00.00.14	Lower casing Cap	1	1	362S60101-0
24	MR0104407BAG			Hexagonal bolt & flat gasket assy M6*25	2	10	
25	MR01052129		20F-06.00.00.18	Lower casing Cap Oil sealing	1	1	346-65013-0
26	MR01022115		20F-06.00.00.02	Propeller pad	1	1	362-64231-0
27	MR01062124		20F-06.00.02.00	Propeller shaft teeth assy.	1	1	362-64103-0
28	MR01012129BAG		20F-06.00.01.01	Propeller	1		
	MR030316	MR08150005	20F-06.00.01.00	Propeller Assy.	1	1	362-64103-0
29	MR01012130BAG		20F-06.00.01.02	Propeller horn	1		
30	MR01022119BAG		20F-06.00.00.34	washer (Φ12)	1	5,00	
31	MR01022114		20F-06.00.00.01	Slotted hex nuts	1	1	346-64121-5
32	MR0104223BAG			Cotter pin 2.5*25	1	10	
33	MR0104102BAG			Cross recessed pan head tapping screws(M4*30)	1	10	
34	MR01072131BAG		20F-06.00.00.23	Inlet cap (up)	2	2	362-60206-0
35	MR0104144BAG			Bolt	1	10	
36	MR01052126B		20F-06.00.00.19	Pinion gear	1	1	350-64020-0
37	MR01052131		20F-06.00.00.32	Needle bearing	1	1	
38	MR01092116		20F-06.00.04.00-S	Gear shift cam lever (S)	1	1	
	MR010921160		20F-06.00.04.00-L	Gear shift cam lever (L)	1	1	
39	MR01041940BAG			Elastic cylindrical pin 3*12	1	10	

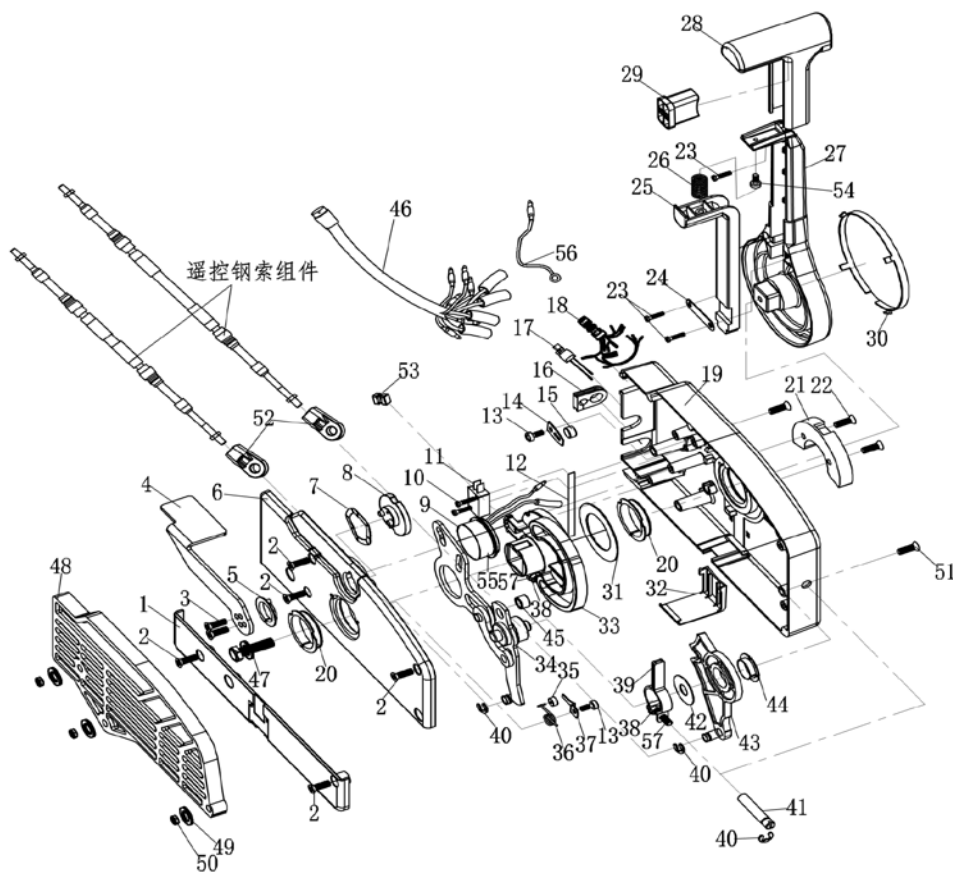
40	MR01060135BAG		15F-06.03.03	Shift lever o-ring	1	2	
41	MR01062122BAG		20F-06.00.00.09	Water pump seat O ring	1	2	
43	MR01082120BAG		20F-06.00.00.21	Shift Cam lever seat Plate	1	2	
44	MR0104153BAG			Spring washer	1	10	
45	MR0104003BAG			Bolt	1	10	
46	MR01052130		20F-06.00.00.30-S	Drive shaft Assy(S)(with bearing and nut)	1	1	350-64301-0
	MR010521300		20F-06.00.00.30-L	Drive shaft Assy(L)(with bearing and nut)	1	1	
47	MR01102104BAG		20F-06.00.00.06	Woodruff key,Crankshaft	1	2	350-65022-0
48	MR01082119BAG		20F-06.00.00.12	Shim(0.3)	1	2	346-64082-0
49	MR01062122BAG		20F-06.00.00.09	Water pump seat O ring	1	2	
50	MR01052124		20F-06.00.00.11	Water pump oil seal	1	1	332-60223-0
51	MR01012126	MR090801012126	20F-06.00.00.10	Water pump seat	1	1	350-65017-0
52	MR01052123BAG		20F-06.00.00.08	Water pump seat seal gasket	1	10	
53	MR01082118		20F-06.00.00.07	water pump gasket	1	1	350-65025-0
54	MR01062125		20F-06.00.05.00	Impeller assy.	1	1	334-65021-0
55	MR01082117		20F-06.00.00.05	Water pump inner shell	1	1	350-65011-1
56	MR01072130		20F-06.00.00.04	Water pump housing	1	1	350-65016-1
57	MR01062121BAG		20F-06.00.00.03	Water hose seal(down)	1	5	350-65014-0
58	MR01044101BAG			Hexagon headed bolt and flat plate M6*50	3	10	
	MR030528	MR08140014	20F(S)	Lower Casing Assy.	1	1	
	MR030529	MR08140013	20F(L)	Lower Casing Assy.	1	1	



8.Кронштейн струбцин

NO.	КОД MR	КОД №2	КОД OEM	НАИМЕНОВАНИЕ	ШТ	УПАКОВКА	TOHATSU
1	MR01020115		15F-03.01	Clamp nut	2	1	90185-22043
2	MR01021114		40F-03.04	Bolt	1	1	346-62191-0
3	MR090801012119	MR01012119	20F-03.00.00.14	clamp bracket(L)	1	1	3G2S62113-0
4	MR010906220		9.8F-03.05.11.00	Trim rod Assy	1	1	350-62121-0
5	MR0104138BAG			Hex Nut M6	2	10	
6	MR0104171BAG			Flat gasket	2	10	
7	MR01080118BAG		15F-03.05.02.03	Clamp plate	2	2	620-43114-00
8	MR01020609		9.8F-03.05.14.03	Transom Clamp Bolt	2	1	369-62103-0
9	MR091001011122	MR01011122	40F-03.05.03.02	intensify handle	2	1	6E0-43118-01
10	MR0104222BAG		GB1015	Bolt	2	10	
11	MR01070139BAG		15F-03.02	Nylon gasket	2	2	90202-22M54
12	MR01070141BAG		15F-03.09.02	Damping ring,bracket	2	2	90386-22M94
13	MR01060123BAG		15F-03.09.12.01	rubber Sleeve	1	2	682-43318-01
14	MR01022111		20F-03.00.00.28	Handle locking screw	1	1	3V9-05254-0
15	MR0104159BAG			Flat Pad 8	1	10	
16	MR01072122BAG		20F-03.00.00.30	Friction bushing	1	2	941403-0800
17	MR01082115		20F-03.00.00.27	Tilt handle	1	1	3G2-66311-0
18	MR01072121BAG		20F-03.00.00.29	Friction gasket	1	2	
19	MR01092111		20F-03.00.00.24	Position lock lever	1	1	3G2-66312-0
20	MR01092110BAG		20F-03.00.00.23	Position tension spring	2	5	3G2-66331-0
21	MR01082113		20F-03.00.00.20	Tilt adjustment outer bracket	1	1	3G2-66313-1
22	MR0104179BAG			Circlip	2	10	
23	MR01022110BAG		20F-03.00.00.26	Angle positioning axes	1	2	
24	MR01092112		20F-03.00.00.25	Angle bracket fixed axis	1	1	3G2-66321-0
25	MR01041850BAG			Cotter pin 1.6*12	1	10	
26	MR01082114		20F-03.00.00.21	Tilt adjustment inner bracket	1	1	
27	MR0104353		GB5787	Hexagon head flange bolts M10*1.25*45 (S12)	2	1	
28	MR01092109BAG		20F-03.00.00.22	Tension spring	1	2	350-66315-0
29	MR01082111BAG		20F-03.00.00.10	Bolt cover	2	2	
30	MR01062117		20F-03.00.02.00	Damper Assy(up)	2	1	350-61301-0
31	MR01062115BAG		20F-03.00.00.32	Clamping bracket upper Damper	1	2	
32	MR090801012122	MR07210008	20F-03.00.01.00	Steering bracket components	1	1	
33	MR01072117BAG		20F-03.00.00.05	Swivel bracket friction gasket	2	5	350-62423-0
34	MR01062114BAG		20F-03.00.00.06	Swivel bracket O ring 22*3.5	2	2	350-62415-0
35	MR01072118BAG		20F-03.00.00.07	Swivel bracket bushing	2	5	350-62417-0
36	MR01012121		20F-03.00.00.31	swivel bracket	1	1	3G2S62310-0

37	MR01080619		9.8F-03.04.01	Friction plate	1	1	345-62441-0
38	MR01090614BAG		9.8F-03.05.09	Spring	1	2	346-62421-0
39	MR0104037BAG			Bolt	1	2	
40	MR01100109BAG		GB7940.1	Oil cup	3	2	93700-06M03
41	MR01092108BAG		20F-03.00.00.17	Angle brace spring	1	2	3G2-66351-0
42	MR01100604		9.8F-05.07	Cable connector	1	1	
43	MR01022109		20F-03.00.00.13	Clamp rod	1	1	350-62117-1
44	MR01072120BAG		20F-03.00.00.19	Bushing gasket	1	2	346-62438-0
45	MR01072119BAG		20F-03.00.00.18	Angle support bushing	1	2	350-62437-0
46	MR01082112		20F-03.00.00.16	Angle support plate	1	1	350-62439-1
47	MR0104402BAG			Hexagonal bolt & flat gasket assy M6*10	1	10	
48	MR01044133BAG			Hexagon headed bolt and flat plate M8*16	2	10	
49	MR01012123		20F-03.00.04.00	Angel support Assy	1	1	3G2S62431-0
50	MR010419601		GB879.1	Elastic cylindrical pin 5*40	1	1	
51	MR090801012120	MR01012120	20F-03.00.00.15	clamp bracket(R)	1	1	3G2S62112-0
52	MR01010911		3.5F-06.01.09	Anode	2	1	338-60218-2
53	MR01040451BAG			hex bolt	1	5	
54	MR0104406BAG			Flat gasket&Bolt	2	10	
55	MR01012117	MR07210004	20F-03.00.00.03	Damper casing A	2	1	350S61402-1
56	MR0104139BAG			Bolt nut	2	10	
57	MR010417109BAG			Flat gasket	2	10	
58	MR01062112		20F-03.00.00.01	Damper A	2	1	350-61302-0
59	MR01062113BAG		20F-03.00.00.02	Damper B	1	2	350-61336-0
60	MR0104007BAG			Hex Bolt M6*10	2	10	
61	MR0104042BAG			Hex Bolt M8*55	1	10	
62	MR0104164BAG			Flat gasket	2	10	
63	MR01044134BAG			Hexagonal bolt & flat gasket assy M8*25	1	10	
64	MR01020813BAG		HDYK00.10.04	hex bolt	1	5	
65	MR010208140BAG		HDYK00.10.06	flat gasket	1	2	
66	MR01092301		20FE-03.00.00.34	control rod	1	1	
67	MR01020814BAG		HDYK00.10.03	bushing,control rod	1	5	
68	MR01080811		HDYK00.10.02	control hook	1	1	
69	MR01020815BAG		HDYK00.10.05	hex thin bolt	1	2	
70	MR01041710901BAG			Flat gasket	1	10	92903-10100
71	MR01020820BAG		HDYK00.10.07	Nylon lock nut	1	2	
72	MR01100814		HDYK00.00.35.01	Steering Cable (3.8m)	1	1	
73	MR010417109BAG			Flat gasket	2	10	
74	MR01081114BAG		40F-03.03	washer	4		



9. Управление

NO.	КОД MR	КОД №2	КОД OEM	НАИМЕНОВАНИЕ	ШТ	УПАКОВКА	TOHATSU
1	MR090901010801	MR07080001	HDYK00.00.01	Small plate	1	1	
2	MR0104111BAG			Bolt	5	10	
3	MR0104110BAG			Screw M5*12	2	10	
4	MR090901080801	MR01080801	HDYK00.00.02	Lale lock handle	1	1	
5	MR01070801BAG		HDYK00.00.04	Antifriction Bushing	1	2	703-48243-00
6	MR090901010807	MR07080003	HDYK00.00.31	cap	1	1	
7	MR01080802BAG		HDYK00.00.03	Wave Washer	1	2	703-48198-00
8	MR01010802		HDYK00.01.00	Handle Lock wheel Assy	1	1	703-48153-00
9	MR01030801		HDYK00.02.01	Buzzer assy	1	1	703-83383-B0
10	MR0104071BAG			Pan Screw M3*14	2	10	
11	MR01030804		HDYK00.05.00	Idle Start switch	1	1	703-82540-00
12	MR01090802BAG		HDYK00.00.10	Spring steel plate	5	10	
13	MR0104072BAG			Cross recessed Pan head screws M4*6	2	10	
14	MR01080804BAG		HDYK00.00.09	Plate	1	2	
15	MR01020802BAG		HDYK00.00.11	Shift limit pin	1	5	
16	MR01060801BAG		HDYK00.00.12	Wire Harness Seal Ring	1	10	703-48284-00
17	MR01030802		HDYK00.03.00	Engine shut-off switch	1	1	688-82575-01
18	MR01030803		HDYK00.04.00	Start switch Assy	1	1	703-82510-12
20	MR01070804BAG		HDYK00.00.16	Gear Shift Seat washer	2	5	703-48236-00
21	MR01070806BAG		HDYK00.00.20	Handle Limit Assy	1	2	703-48245-00
22	MR0104111BAG			Bolt	2	10	
23	MR0104226BAG			Pan head bolt with cross recess M4*10	3	10	
24	MR01080809BAG		HDYK00.09.05	handle Lock plate	1	2	
25	MR01070809		HDYK00.09.04	Handle lock switch	1	1	703-48223-00
26	MR01090803BAG		HDYK00.09.06	Spring	1	2	703-48227-00
27	MR2012408001		HDYK00.09.11	Handle seat	1	1	
28	MR2072408001		HDYK00.09.13	Handle	1	1	
29	MR01070810BAG		HDYK00.09.07	Handle switch cap	1	2	
30	MR2072408003		HDYK00.09.12	Handle seat decoration ring	1	1	
31	MR01070803BAG		HDYK00.00.15	Gear Shift Seat washer	1	5	
32	MR2072408002			connector,box cap	1	1	
33	MR01010804		HDYK00.00.14	Shift seat	1	1	
34	MR010817012		30FEHDYK00.07.00	Throttle controler Assy	1	1	703-48261-01
35	MR01020821BAG		HDYK00.00.06	Guide wheel	1	2	703-48234-00
36	MR01090801BAG		HDYK00.00.07	Spring	1	5	703-48244-00
37	MR01080803BAG		HDYK00.00.05	Guide wheel plate	1	2	703-48246-00
38	MR0104137BAG			Hexagon nut M5	2	10	
39	MR01020810		HDYK00.08.01	Locking Clamp	1	1	703-48264-00
40	MR0104179BAG			Circlip	3	10	
41	MR01020811BAG		HDYK00.08.02	Adjusting screw	1	5	703-48265-00

42	MR01070805BAG		HDYK00.00.19	Shift control washer	1	5	703-48268-00
43	MR01010805		HDYK00.00.17	Shift controler	1	1	703-48271-00
44	MR01080808BAG		HDYK00.00.13	Shift control washer	1	2	703-48235-00
45	MR01020808BAG		HDYK00.07.10	Guide wheel	1	2	703-48252-00
46	MR01030805		HDYK00.00.33	Seven-pin plug 5M	1	1	688-8258A-20
47	MR01044130BAG			Flat gasket&bolts	1	5	
48	MR01070814		HDYK00.00.32	Remote control fixation plate	1	1	
49	MR0104175BAG		GB5287	Flat gasket 6	3	10	
50	MR0104138BAG			Hex Nut M6	3	10	
51	MR0104119BAG			Screw M6*90	3	5	
52	MR01070812BAG		HDYK00.00.25	Cable adjustor B	2	2	703-48345-01
53	MR01060803BAG		HDYK00.00.27	Wire harness sealing Seat	1	10	
54	MR01040760BAG			Cross recessed pan head tapping screws(M5*10)	1	10	
55	MR01060823BAG		HDYK00.02.02	Handle switch cap	1	2	703-82563-02
56	MR01030824BAG		HDYK00.05.01	Electric Start Idle Wire	1	2	
57	MR0104005BAG			Bolt	2	10	

10. Аксессуары

NO.	КОД MR	КОД №2	КОД OEM	НАИМЕНОВАНИЕ	ШТ	УПАКОВКА	TOHATSU
1	MR01100119		15F-08.01.06.00	Fuel Hose With Connector	1	1	
2	MR01100807		HDYK00.00.34.00	steering wheel Assy.	1	1	
3	MR0104138BAG		GB6170 M6	hex bolt	3	10	
4	MR01100814		HDYK00.00.35.01(3.8M)	direction wire rope Assy.	1	1	
5	MR010917003		30FE-04.00.00.15	bolt,fixing and adjust ing device	1	1	
6	MR01020815BAG		HDYK00.10.05	hex bolt,thin	1	2	
7	MR0110080101			steel Cable Assy.,remote control	2	1	
8	MR01100808		HDYK00.00.35.00	direction base Assy.	1	1	
9	MR01070814		HDYK00.00.32	remote control fixed board	1	1	
10	MR01020813BAG		HDYK00.10.04	hex bolt	1	5	
11	MR0104171BAG		GB97.1 M6	flat gasket	2	10	
12	MR01071503BAG		F9.9E-02.00.00.02	steel Cable fixed pin	1	5	
13	MR0104119BAG		GB820 M6*90	Pan head bolt with cross recess	3	5	
14	MR0104175BAG		GB5287 M6	flat gasket	3	10	
15	MR0104223BAG		GB91 2.5*25	cotter pin	1	10	
16	MR01100134		15F-09.00	toolkit	1	1	
17	MR01062125		20F-06.00.05.00	impeller Assy.	1	1	334-65021-0
18	MR010917002BAG		30FE-04.00.00.16	spring, fixing and adjust ing device	1	2	
19	MR01041940BAG		GB879 3*12	Cylindrical pin	1	10	
20	MR01092301		20FE-03.00.00.34	control Lever	1	1	
21	MR01080811		HDYK00.10.02	control hook	1	1	
22	MR01070811BAG		HDYK00.00.24	steel cable adjusting device A	2	5	
23	MR01070812BAG		HDYK00.00.25	steel cable adjusting device B	2	2	703-48345-01
24	MR0104012BAG		GB5783 M6*20	hex bolt	2	10	
25	MR0104138BAG		GB6170 M6	hex bolt	2	10	
26	MR01020128BAG		15F-06.01.03	thread plug,straight screw	1	2	90340-08002
27	MR01020814BAG		HDYK00.10.03	washer,control Lever	1	5	
28	MR010208140BAG		HDYK00.10.06	flat gasket	1	2	
29	MR01041710901BAG		GB97.1 M10	flat gasket	1	10	92903-10100
30	MR01020820BAG		HDYK00.10.07	nylon Lock nut	1	2	
31	MR01080139BAG		15F-06.01.04	thread plug seal gasket	2	10	90430-08020
32	MR01100103		15F-01.01.22	starter rope	1	1	
33	MR01070168BAG		15F-09.01	emergency starting handle	1	2	
34	MR01070166		15F-08.00.00	fuel case Assy.	1	1	
35	MR01100810BAG			fuse	1	5	
36	MR01090115BAG		15F-01.05.14	circlip(M)	1	10	